

EMC clamp assembly for screw assembly

with or without integrated strain relief



EMC clamp assemblies are used, where the shield of several cables must be connected to the earth potential. They are easy to use and enable effective earthing and strain relief of up to 12 cables in a small space. There are different carriers available which can be user configured with up to 12 SKL or MSKL shield clamps. The shield clamps are mounted directly on the surface of the clamp assembly which guarantees a tight fit.

When using types with integrated strain relief cables can be fixed via the cable jacket using cable ties. Thus strain relief in accordance with EN 62444 is achieved.

The EMC shield clamps as listed below are available to mount:

SKL 1.5-3 | SKL 3-6 | SKL 6-8 | SKL 8-11
MSKL 3-12

The SKL shield clamps are assembled in a row, the MSKL shield clamps are assembled in a staggered double-row which enables an ideal and space-saving arrangement.

The clamp assembly is easily attached to mounting plates via screw.

Configure your individual clamp assembly with the icotek EMC Configurator!



Specifications

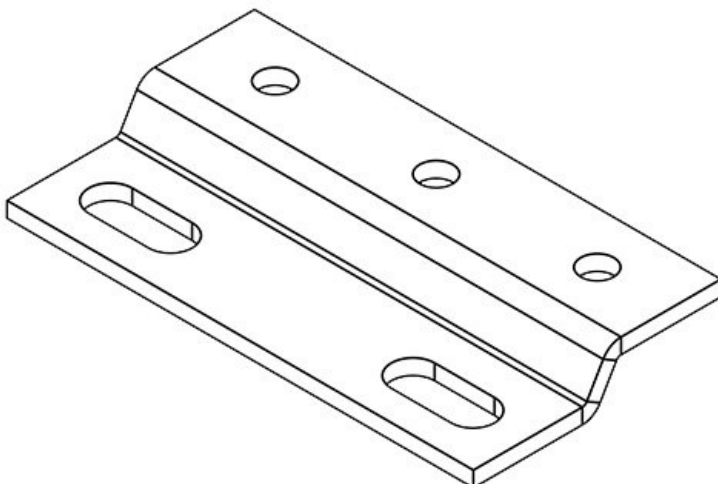
Material	Shield clamp: Spring steel, zinc plated Snap foot: Spring steel Mounting foot: Mild steel, galvanically zinc plated
Properties	vibration proof
Mounting options	Screw type mounting

Advantages & Benefits

- Large contact area
- Shield contact and strain relief separated
- Easy assembly and removal
- The spring design requires no adjustments and will permanently maintain contact to the cable shield
- Shock and vibration resistant, maintenance free
- Designed for high density applications
- Possibility to configure custom specific EMC clamp assemblies

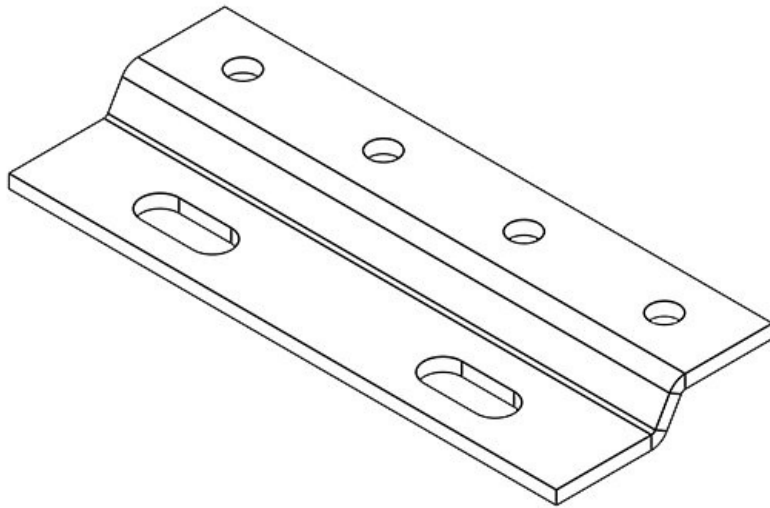
Product types & Sizes

RLF (x3)



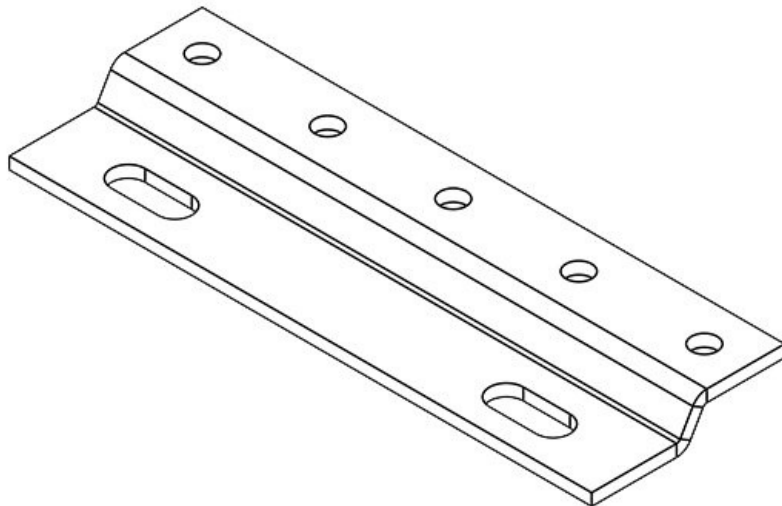
Part No.	36965	Height	5,5 mm
EAN	4251269305	Mounting height	5,5 mm
	191	Hole size	M4
Package quantity	1	No. of screw holes	2
For no. of shield clamps	3	Diam. of screw holes	4,2 mm
For max. no. of cables	3		
Length	46,2 mm		
Width	24 mm		

RLF (x4)



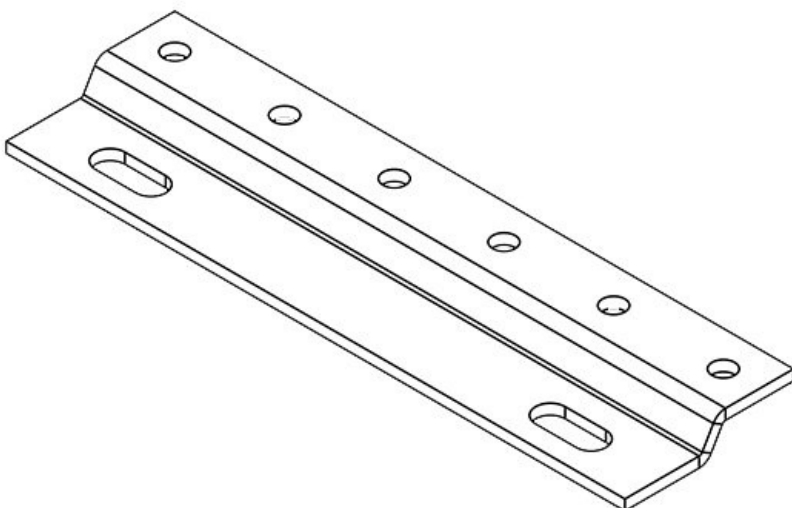
Part No.	36984	Height	5,5 mm
EAN	4251269305	Mounting height	5,5 mm
Package quantity	1	Hole size	M4
For no. of shield clamps	4	No. of screw holes	2
For max. no. of cables	4	Diam. of screw holes	4,2 mm
Length	60,8 mm		
Width	24 mm		

RLF (x5)



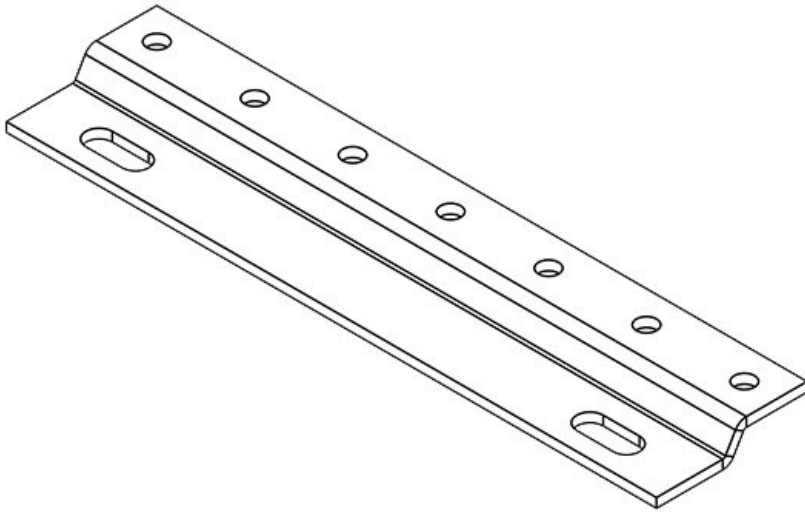
Part No.	36958	Height	5,5 mm
EAN	4251269305	Mounting height	5,5 mm
Package quantity	1	Hole size	M4
For no. of shield clamps	5	No. of screw holes	2
For max. no. of cables	5	Diam. of screw holes	4,2 mm
Length	72,4 mm		
Width	24 mm		

RLF (x6)



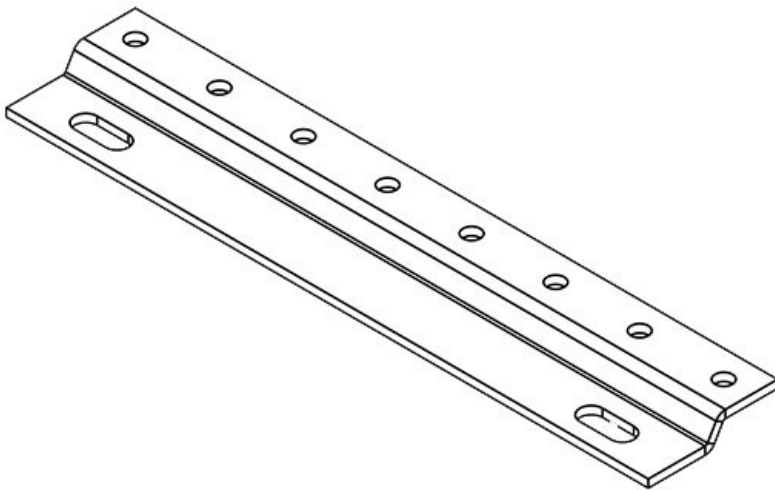
Part No.	36952	Height	5,5 mm
EAN	4251269305	Mounting height	5,5 mm
Package quantity	1	Hole size	M4
For no. of shield clamps	6	No. of screw holes	2
For max. no. of cables	6	Diam. of screw holes	4,2 mm
Length	88 mm		
Width	24 mm		

RLF (x7)



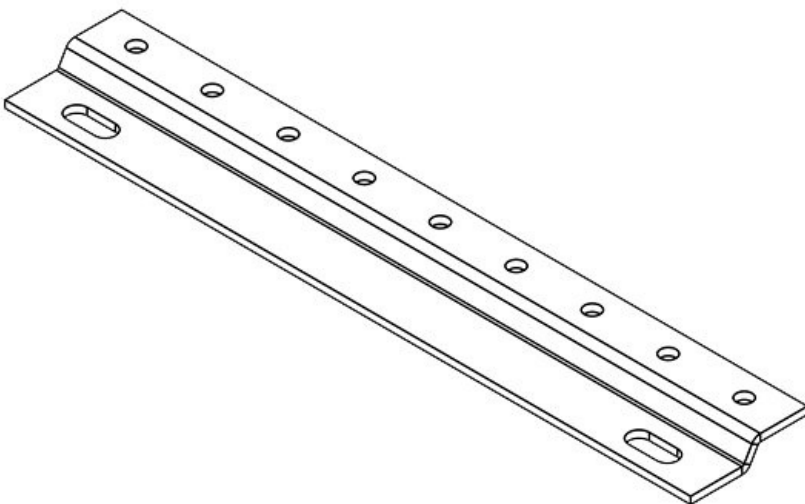
Part No.	36963	Height	5,5 mm
EAN	4251269305	Mounting height	5,5 mm
	184	Hole size	M4
Package quantity	1	No. of screw holes	2
For no. of shield clamps	7	Diam. of screw holes	4,2 mm
For max. no. of cables			
Length	103,6 mm		
Width	24 mm		

RLF (x8)



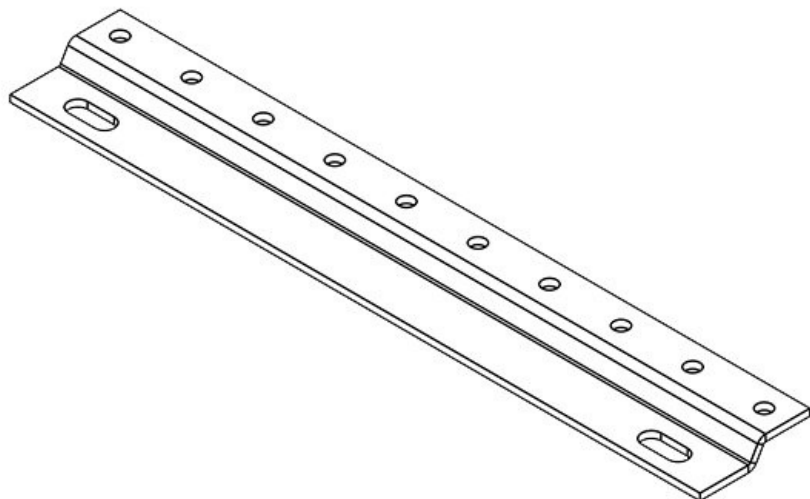
Part No.	36953	Height	5,5 mm
EAN	4251269305	Mounting height	5,5 mm
	139	Hole size	M4
Package quantity	1	No. of screw holes	2
For no. of shield clamps	8	Diam. of screw holes	4,2 mm
For max. no. of cables			
Length	119,2 mm		
Width	24 mm		

RLF (x9)



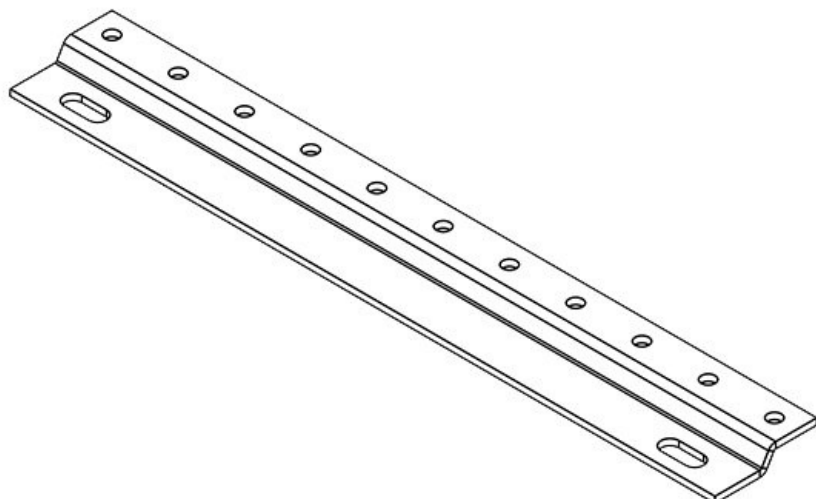
Part No.	36985	Height	5,5 mm
EAN	4251269305	Mounting height	5,5 mm
	214	Hole size	M4
Package quantity	1	No. of screw holes	2
For no. of shield clamps	9	Diam. of screw holes	4,2 mm
For max. no. of cables			
Length	140,8 mm		
Width	24 mm		

RLF (x10)



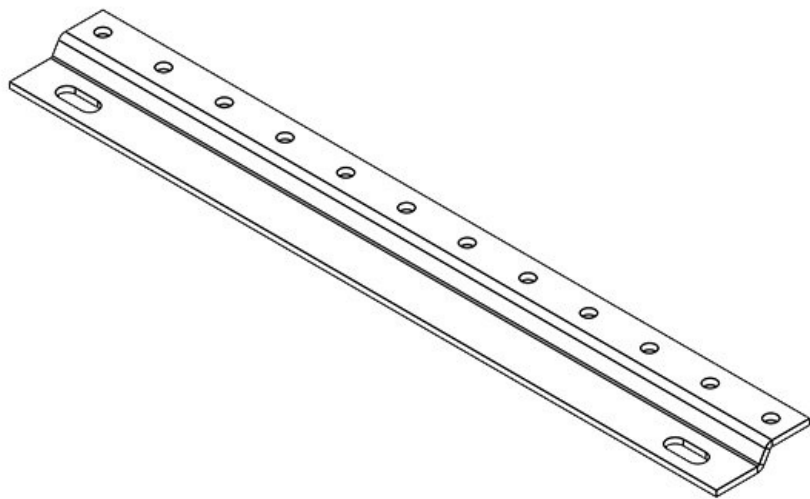
Part No.	36954	Height	5,5 mm
EAN	4251269305	Mounting height	5,5 mm
	146	Hole size	M4
Package quantity	1	No. of screw holes	2
For no. of shield clamps	10	Diam. of screw holes	4,2 mm
For max. no. of cables	10		
Length	150,4 mm		
Width	24 mm		

RLF (x11)

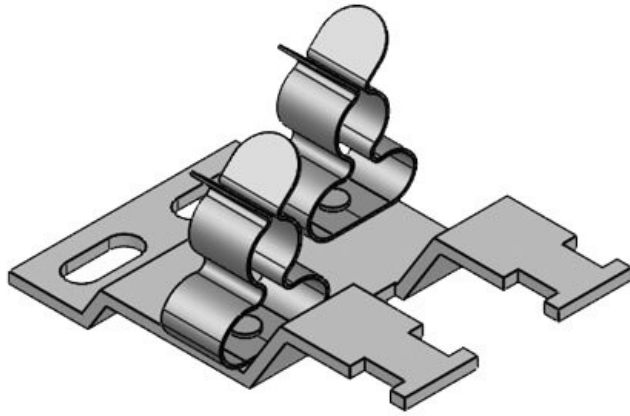


Part No.	36955	Height	5,5 mm
EAN	4251269305	Mounting height	5,5 mm
	153	Hole size	M4
Package quantity	1	No. of screw holes	2
For no. of shield clamps	11	Diam. of screw holes	4,2 mm
For max. no. of cables	11		
Length	166 mm		
Width	24 mm		

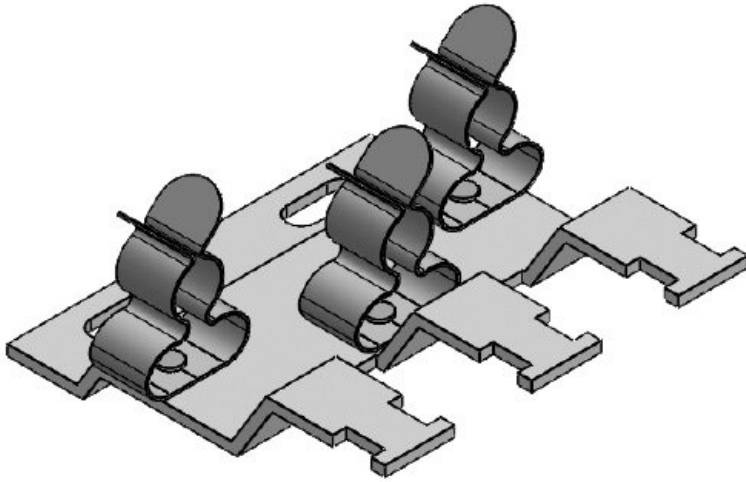
RLF (x12)



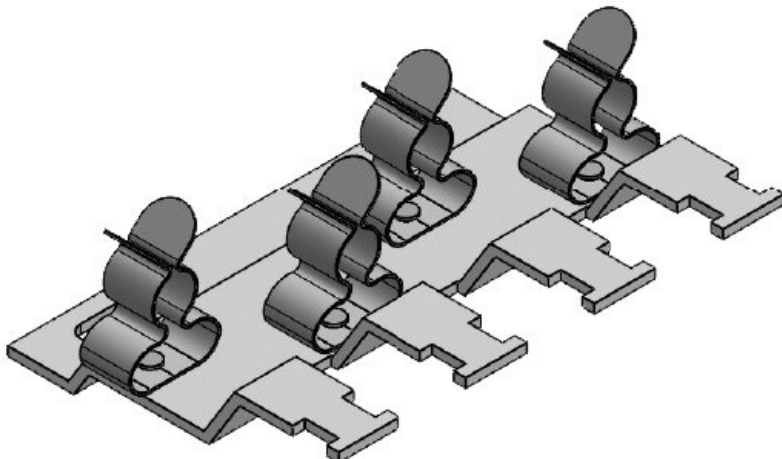
Part No.	36962	Height	5,5 mm
EAN	4251269305	Mounting height	5,5 mm
	177	Hole size	M4
Package quantity	1	No. of screw holes	2
For no. of shield clamps	12	Diam. of screw holes	4,2 mm
For max. no. of cables	12		
Length	181,6 mm		
Width	24 mm		

RLFZ-M (x2)

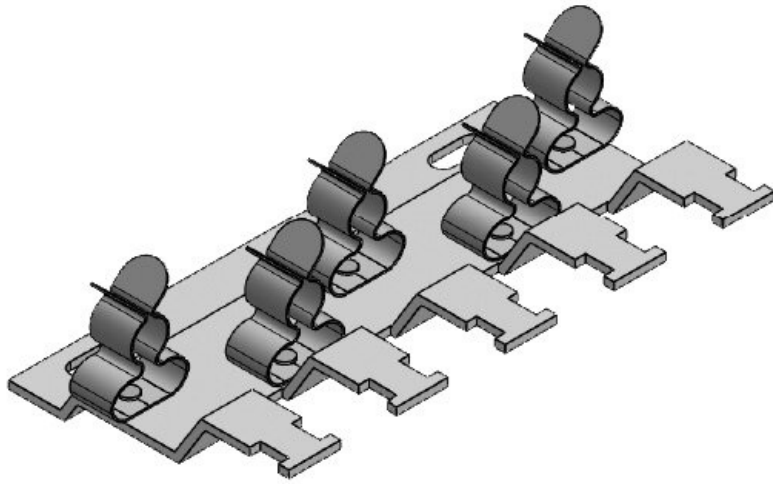
Part No.	38069.002	Hole size	M4
EAN	4251269322	No. of screw	2
	310	holes	
Package quantity	1	Diam. of screw	4,2 mm
For no. of shield clamps	2	holes	
Width	54,1 mm	Strain relief	1
Height	14,2 mm	(acc. to EN 62444)	
Mounting height	14,2 mm	For max. no. of	2
		cables	
		Length	36 mm

RLFZ-M (x3)

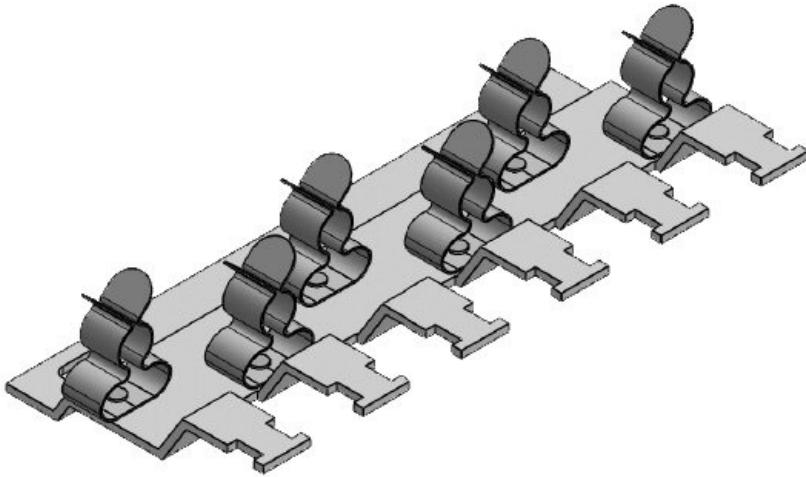
Part No.	38070.002	Hole size	M4
EAN	4251269318	No. of screw	2
	016	holes	
Package quantity	1	Diam. of screw	4,2 mm
For no. of shield clamps	3	holes	
Width	54,1 mm	Strain relief	1
Height	14,2 mm	(acc. to EN 62444)	
Mounting height	14,2 mm	For max. no. of	3
		cables	
		Length	52 mm

RLFZ-M (x4)

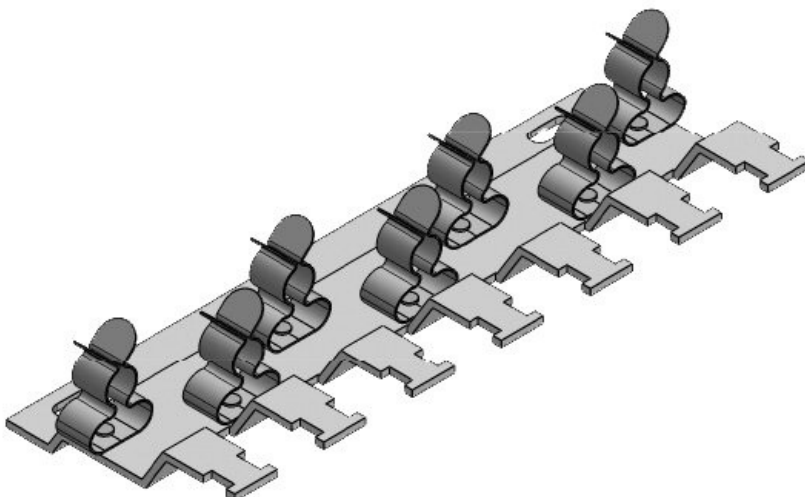
Part No.	38071.002	Hole size	M4
EAN	4251269318	No. of screw	2
	023	holes	
Package quantity	1	Diam. of screw	4,2 mm
For no. of shield clamps	4	holes	
Width	54,1 mm	Strain relief	1
Height	14,2 mm	(acc. to EN 62444)	
Mounting height	14,2 mm	For max. no. of	4
		cables	
		Length	73 mm

RLFZ-M (x5)

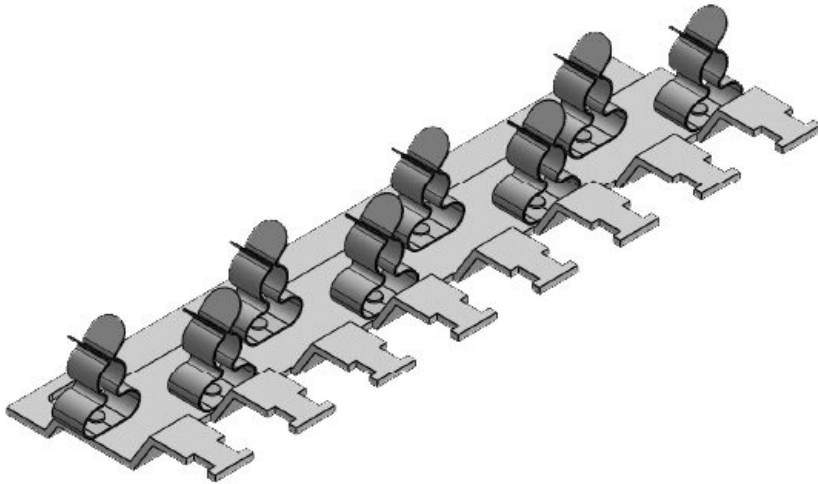
Part No.	38072.002	Hole size	M4
EAN	4251269318030	No. of screw holes	2
Package quantity	1	Diam. of screw holes	4,2 mm
For no. of shield clamps	5	Strain relief (acc. to EN 62444)	1
Width	54,1 mm	For max. no. of cables	5
Height	14,2 mm	Length	94 mm
Mounting height	14,2 mm		

RLFZ-M (x6)

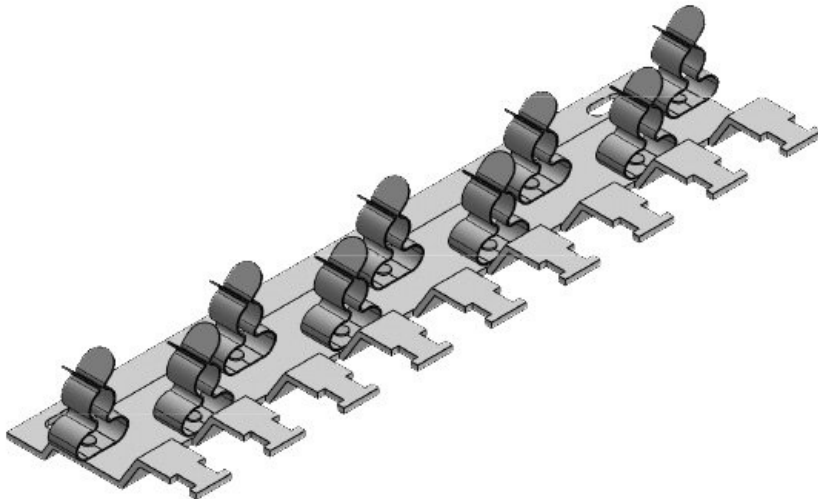
Part No.	38073.002	Hole size	M4
EAN	4251269318047	No. of screw holes	2
Package quantity	1	Diam. of screw holes	4,2 mm
For no. of shield clamps	6	Strain relief (acc. to EN 62444)	1
Width	54,1 mm	For max. no. of cables	6
Height	14,2 mm	Length	115 mm
Mounting height	14,2 mm		

RLFZ-M (x7)

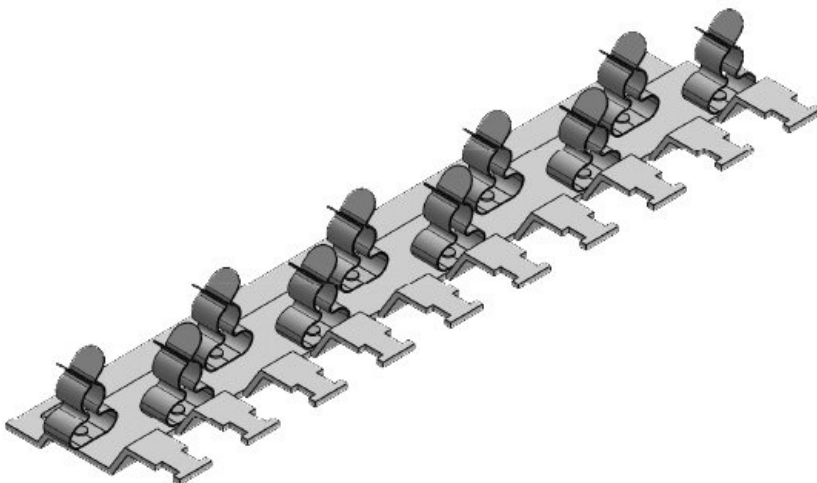
Part No.	38074.002	Hole size	M4
EAN	4251269318054	No. of screw holes	2
Package quantity	1	Diam. of screw holes	4,2 mm
For no. of shield clamps	7	Strain relief (acc. to EN 62444)	1
Width	54,1 mm	For max. no. of cables	7
Height	14,2 mm	Length	136 mm
Mounting height	14,2 mm		

RLFZ-M (x8)

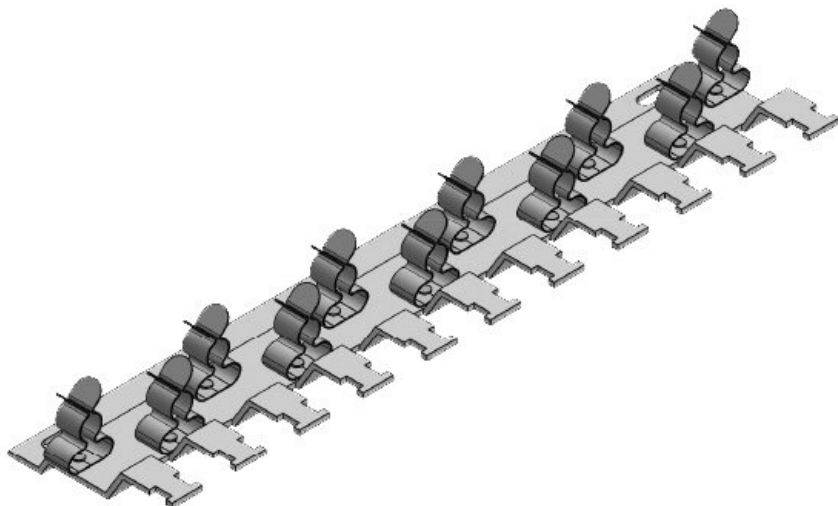
Part No.	38075.002	Hole size	M4
EAN	4251269318061	No. of screw holes	2
Package quantity	1	Diam. of screw holes	4,2 mm
For no. of shield clamps	8	Strain relief (acc. to EN 62444)	1
Width	54,1 mm	For max. no. of cables	8
Height	14,2 mm	Length	157 mm
Mounting height	14,2 mm		

RLFZ-M (x9)

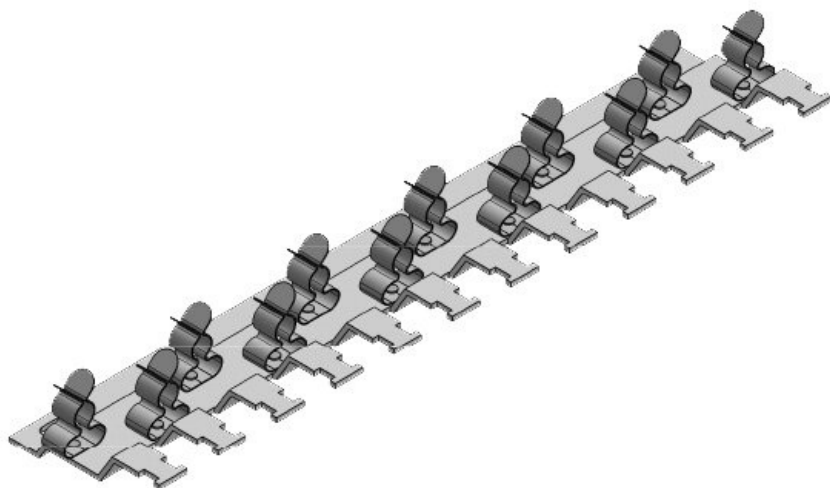
Part No.	38076.002	Hole size	M4
EAN	4251269318078	No. of screw holes	2
Package quantity	1	Diam. of screw holes	4,2 mm
For no. of shield clamps	9	Strain relief (acc. to EN 62444)	1
Width	54,1 mm	For max. no. of cables	9
Height	14,2 mm	Length	178 mm
Mounting height	14,2 mm		

RLFZ-M (x10)

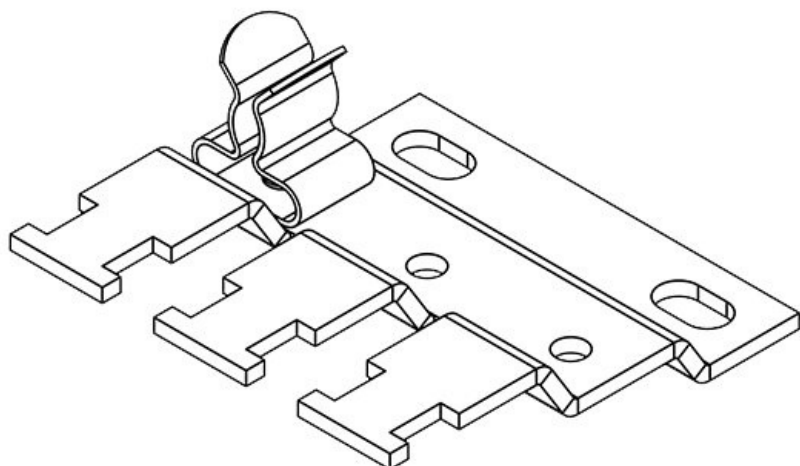
Part No.	38077.002	Hole size	M4
EAN	4251269318085	No. of screw holes	2
Package quantity	1	Diam. of screw holes	4,2 mm
For no. of shield clamps	10	Strain relief (acc. to EN 62444)	1
Width	54,1 mm	For max. no. of cables	10
Height	14,2 mm	Length	199 mm
Mounting height	14,2 mm		

RLFZ-M (x11)

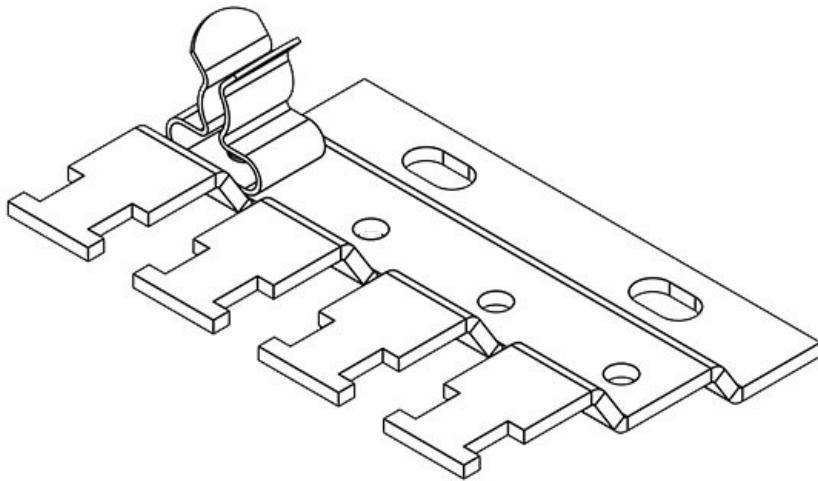
Part No.	38078.002	Hole size	M4
EAN	4251269318	No. of screw	2
	092	holes	
Package quantity	1	Diam. of screw	4,2 mm
For no. of shield clamps	11	holes	
Width	54,1 mm	Strain relief	1
Height	14,2 mm	(acc. to EN 62444)	
Mounting height	14,2 mm	For max. no. of	11
		cables	
		Length	220 mm

RLFZ-M (x12)

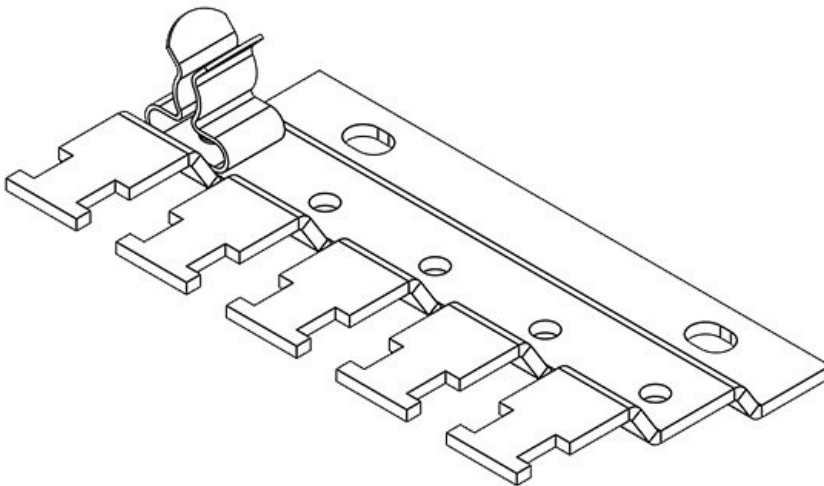
Part No.	38079.002	Hole size	M4
EAN	4251269318	No. of screw	2
	108	holes	
Package quantity	1	Diam. of screw	4,2 mm
For no. of shield clamps	12	holes	
Width	54,1 mm	Strain relief	1
Height	14,2 mm	(acc. to EN 62444)	
Mounting height	14,2 mm	For max. no. of	12
		cables	
		Length	241 mm

RLFZ (x3)

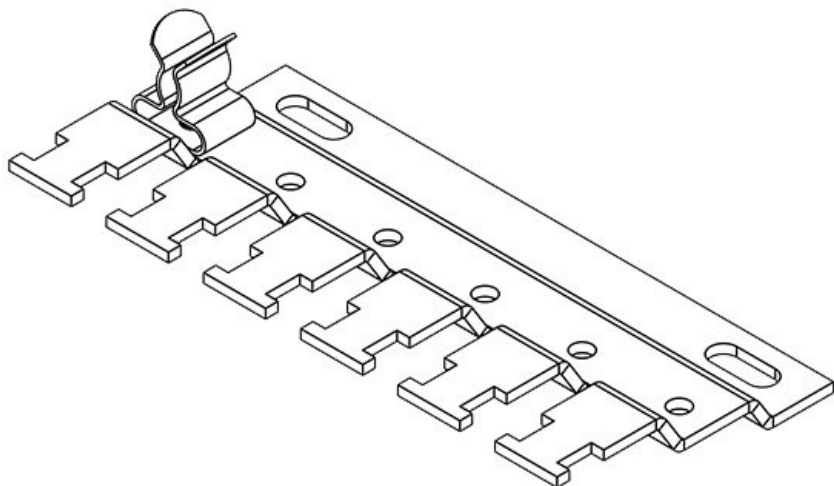
Part No.	38005	Hole size	M4
EAN	4251269305	No. of screw	2
	757	holes	
Package quantity	1	Diam. of screw	4,2 mm
For no. of shield clamps	3	holes	
Width	44,4 mm	Strain relief	1
Height	10,5 mm	(acc. to EN 62444)	
Mounting height	10,5 mm	For max. no. of	3
		cables	
		Length	41,2 mm

RLFZ (x4)

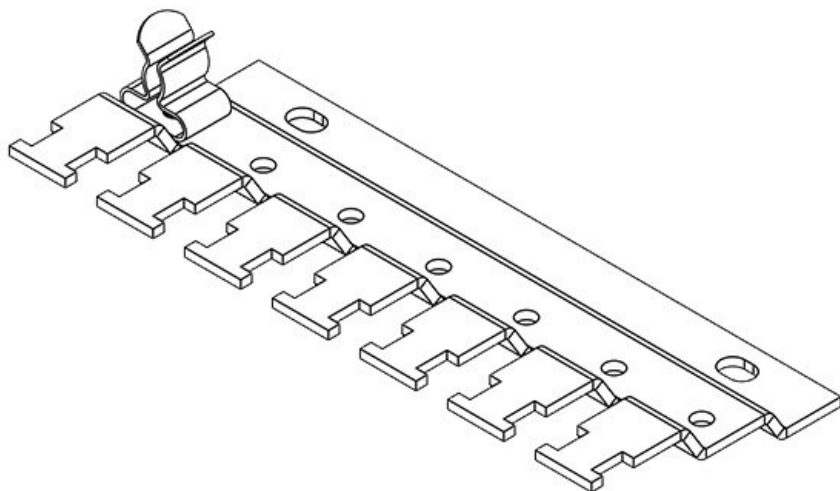
Part No.	38010	Hole size	M4
EAN	4251269305764	No. of screw holes	2
Package quantity	1	Diam. of screw holes	4,2 mm
For no. of shield clamps	4	Strain relief (acc. to EN 62444)	1
Width	44,4 mm	For max. no. of cables	4
Height	10,5 mm	Length	56,8 mm
Mounting height	10,5 mm		

RLFZ (x5)

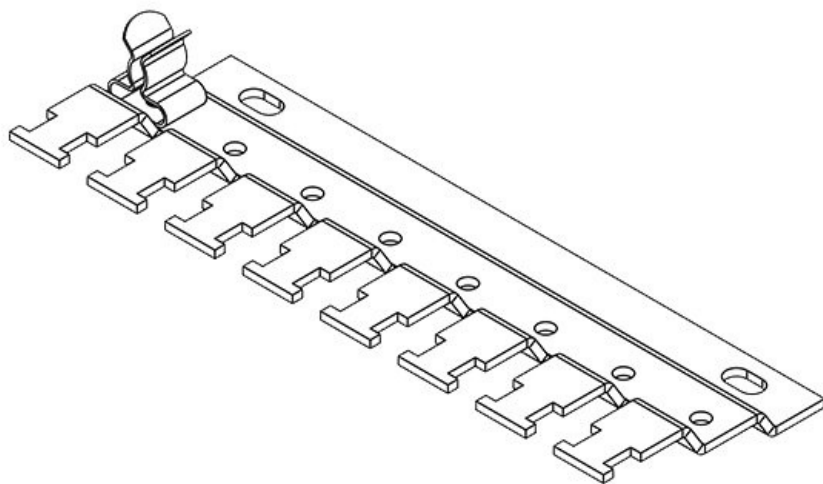
Part No.	38015	Hole size	M4
EAN	4251269305771	No. of screw holes	2
Package quantity	1	Diam. of screw holes	4,2 mm
For no. of shield clamps	5	Strain relief (acc. to EN 62444)	1
Width	44,4 mm	For max. no. of cables	5
Height	10,5 mm	Length	72,4 mm
Mounting height	10,5 mm		

RLFZ (x6)

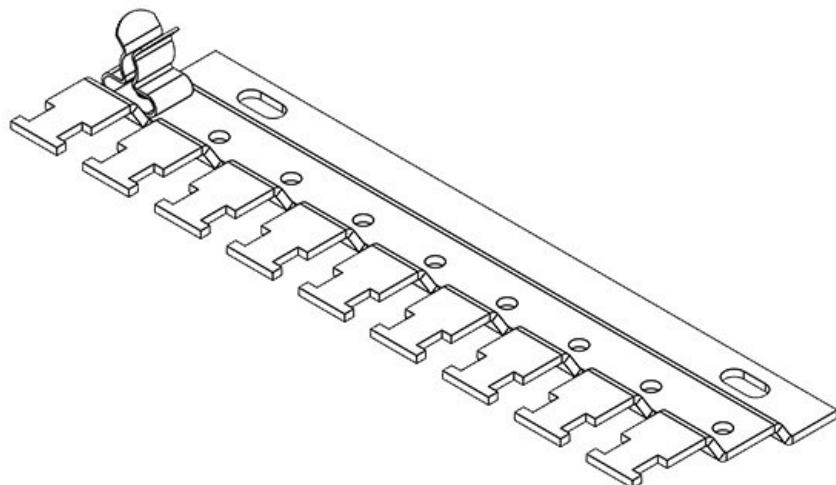
Part No.	38020	Hole size	M4
EAN	4251269305788	No. of screw holes	2
Package quantity	1	Diam. of screw holes	4,2 mm
For no. of shield clamps	6	Strain relief (acc. to EN 62444)	1
Width	44,4 mm	For max. no. of cables	6
Height	10,5 mm	Length	88 mm
Mounting height	10,5 mm		

RLFZ (x7)

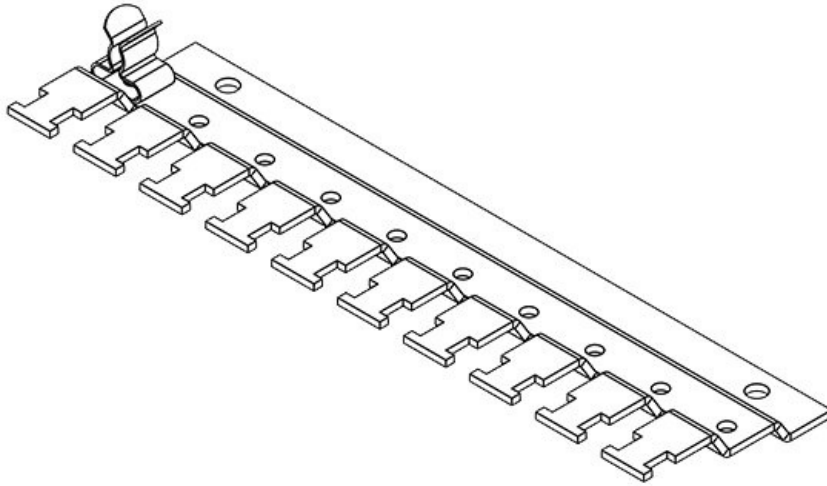
Part No.	38025	Hole size	M4
EAN	4251269305	No. of screw	2
	795	holes	
Package quantity	1	Diam. of screw	4,2 mm
For no. of shield clamps	7	holes	
Width	44,4 mm	Strain relief	1
Height	10,5 mm	(acc. to EN 62444)	
Mounting height	10,5 mm	For max. no. of cables	7
		Length	103,6 mm

RLFZ (x8)

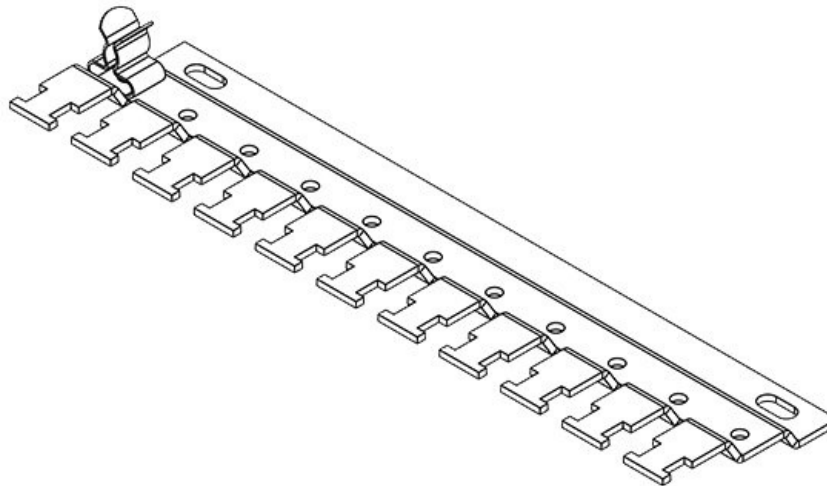
Part No.	38030	Hole size	M4
EAN	4251269305	No. of screw	2
	801	holes	
Package quantity	1	Diam. of screw	4,2 mm
For no. of shield clamps	8	holes	
Width	44,4 mm	Strain relief	1
Height	10,5 mm	(acc. to EN 62444)	
Mounting height	10,5 mm	For max. no. of cables	8
		Length	119,2 mm

RLFZ (x9)

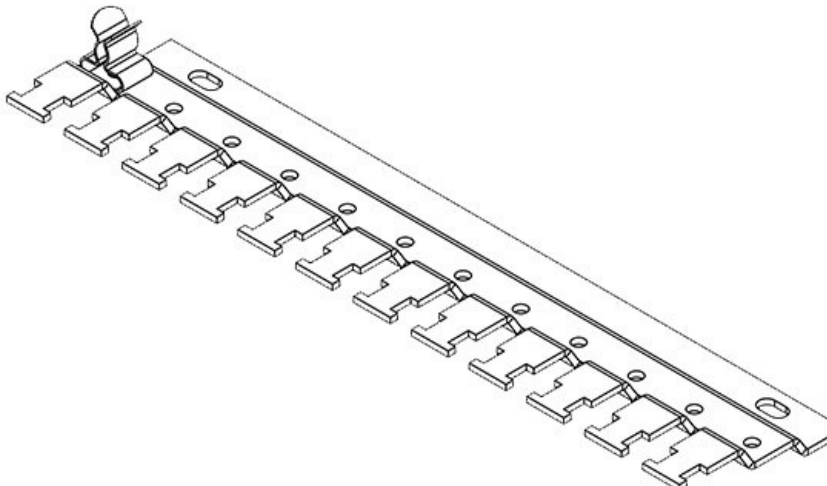
Part No.	38035	Hole size	M4
EAN	4251269305	No. of screw	2
	818	holes	
Package quantity	1	Diam. of screw	4,2 mm
For no. of shield clamps	9	holes	
Width	44,4 mm	Strain relief	1
Height	10,5 mm	(acc. to EN 62444)	
Mounting height	10,5 mm	For max. no. of cables	9
		Length	134,8 mm

RLFZ (x10)

Part No.	38040	Hole size	M4
EAN	4251269305825	No. of screw holes	2
Package quantity	1	Diam. of screw holes	4,2 mm
For no. of shield clamps	10	Strain relief (acc. to EN 62444)	1
Width	44,4 mm	For max. no. of cables	10
Height	10,5 mm	Length	150,4 mm
Mounting height	10,5 mm		

RLFZ (x11)

Part No.	38045	Hole size	M4
EAN	4251269305832	No. of screw holes	2
Package quantity	1	Diam. of screw holes	4,2 mm
For no. of shield clamps	11	Strain relief (acc. to EN 62444)	1
Width	44,4 mm	For max. no. of cables	11
Height	10,5 mm	Length	166 mm
Mounting height	10,5 mm		

RLFZ (x12)

Part No.	38050	Hole size	M4
EAN	4251269305849	No. of screw holes	2
Package quantity	1	Diam. of screw holes	4,2 mm
For no. of shield clamps	12	Strain relief (acc. to EN 62444)	1
Width	44,4 mm	For max. no. of cables	12
Height	10,5 mm	Length	181,6 mm
Mounting height	10,5 mm		

